

THIS DRAWING IS THE PROPERTY OF M.N. CONSULTANTS Pvt. Ltd. AND IS MERELY LENT FOR LIMITED USE. SUBJECT TO THE CONDITION THAT IT SHALL NOT BE REPRODUCED, LENT OR USED IN ANY WAY DETRIMENTAL TO OUR INTEREST.

SCHEDULE OF FLOOR BEAMS

BEAM MKD	BEAM SIZE	BEAM REINFORCEMENT								STIRRUP		REMARKS
		END SUPPT		MID SPAN		CONT. SUPPT		CANT END		UPTO L/3 FROM SUPPT	MID SPAN	
		(T)	(B)	(T)	(B)	(T)	(B)	(T)	(B)			
B-1	200x400	2-16T	2-16T	2-16T	2-16T	2-16T	2-16T	-	-	8T 2L @ 100 C/C	8T 2L @ 200 C/C	
B-2	250x400	2-16T +1-16T	2-16T	2-16T	2-16T +1-16T	2-16T +1-16T	2-16T	-	-	8T 2L @ 100 C/C	8T 2L @ 200 C/C	
B-3	200x400	2-16T	2-16T	2-16T	2-16T	2-16T	2-16T	-	-	8T 2L @ 100 C/C	8T 2L @ 200 C/C	RAKER BEAM

SCHEDULE OF SLAB

SLAB MKD	SLAB THICKNESS	SHORTER DIR.				LONGER DIR.				DISTRIBUTION
		SUPPORT		MID SPAN		SUPPORT		MID SPAN		
		(T)	(B)	(T)	(B)	(T)	(B)	(T)	(B)	
S1	135	8T @ 100 C/C	8T @ 100 C/C	8T @ 100 C/C	8T @ 100 C/C	8T @ 100 C/C	8T @ 100 C/C	8T @ 100 C/C	8T @ 300 C/C	
S2	125	8T @ 125 C/C	8T @ 125 C/C	8T @ 125 C/C	8T @ 125 C/C	8T @ 125 C/C	8T @ 125 C/C	8T @ 125 C/C	8T @ 300 C/C	
S3	125	8T @ 150 C/C	8T @ 150 C/C	8T @ 150 C/C	8T @ 150 C/C	8T @ 150 C/C	8T @ 150 C/C	8T @ 150 C/C	8T @ 300 C/C	

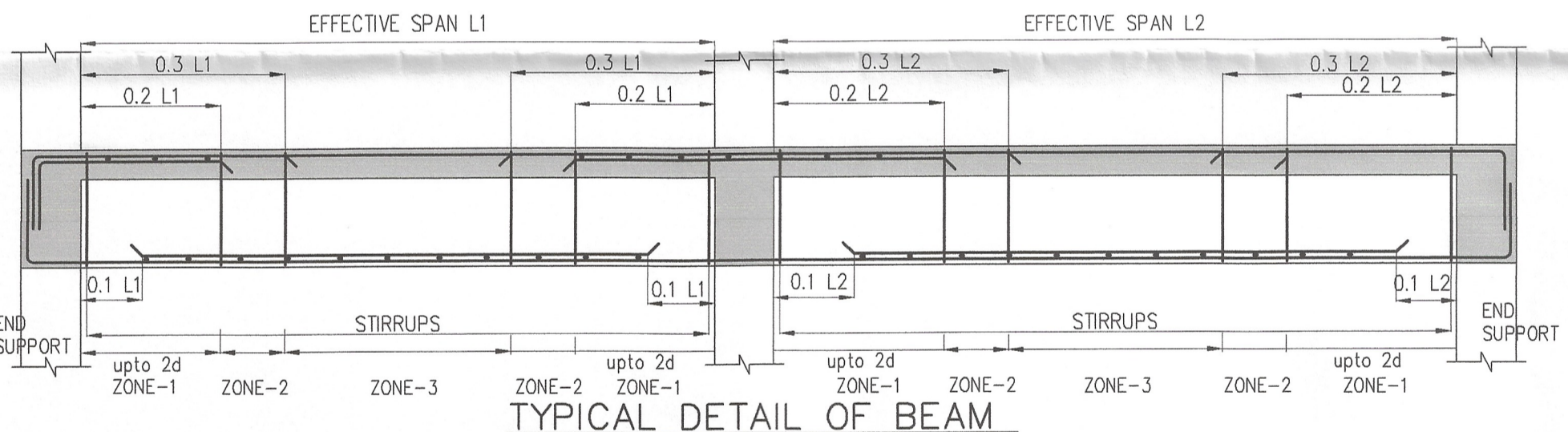
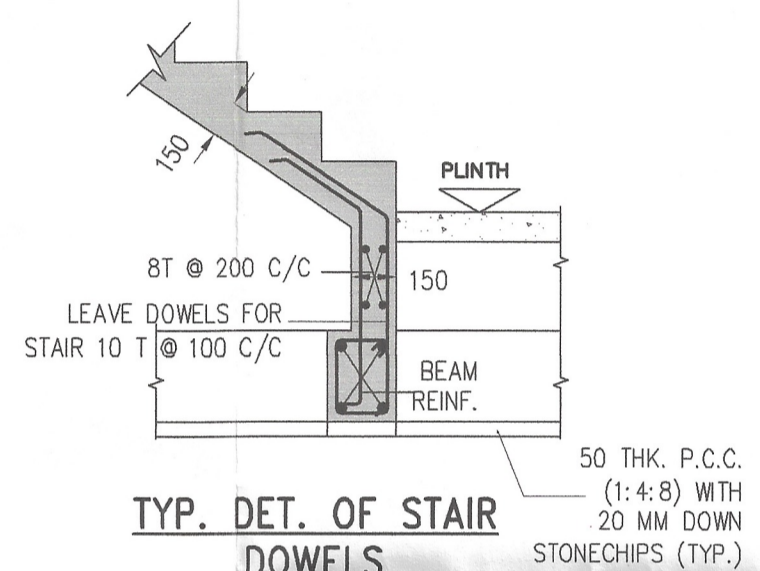
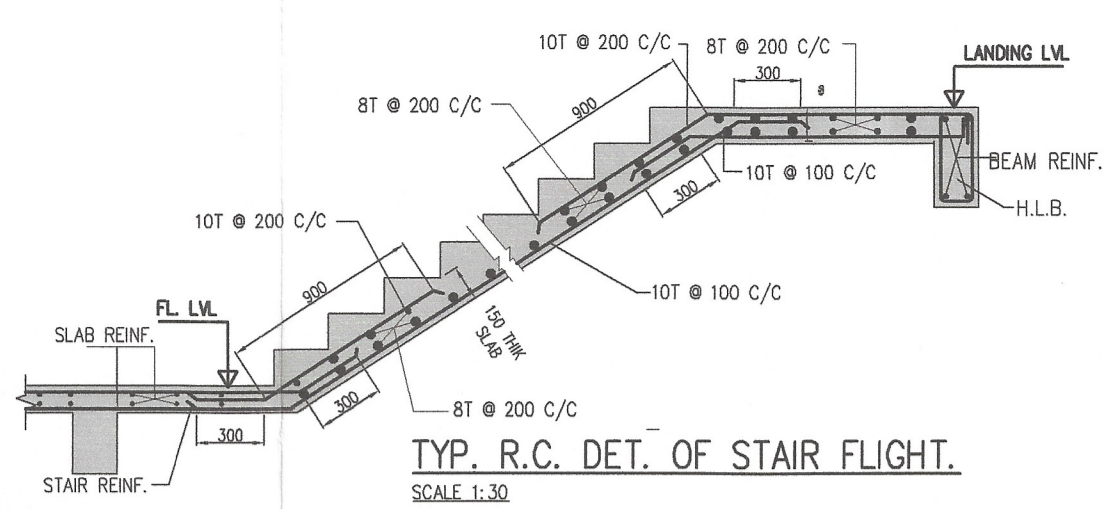
SCHEDULE OF COLUMN

LEVEL	COL. MKD	M-25	M-25	M-25	M-25	M-25	M-25	M-25
ROOF		4-16T	4-16T	4-16T	4-16T	4-16T	4-16T	4-16T
TO 2nd FLOOR		+10-12T	+8-12T	+8-12T	+12-12T	+4-12T	+6-12T	+8-12T
TO FOUNDATION		+10-12T	+8-12T	+8-12T	+12-12T	+4-12T	+6-12T	+8-12T
LEVEL		200x750	650x200	600x200	925x200	400x200	500x200	675x200
COL. MKD		C1&C9	C9&C10	C4&C12	C3&C11	C7&C8	C6	C5

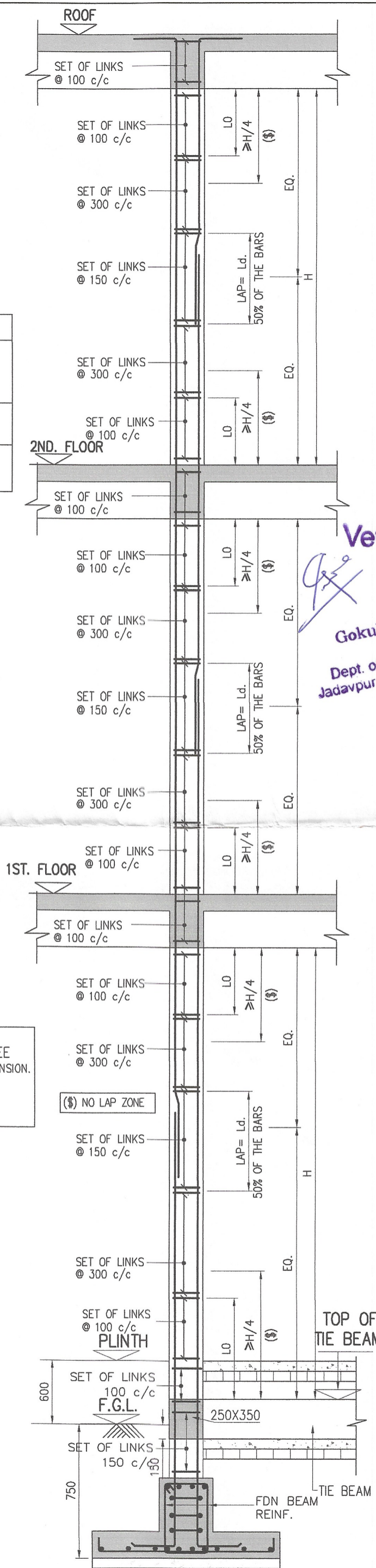
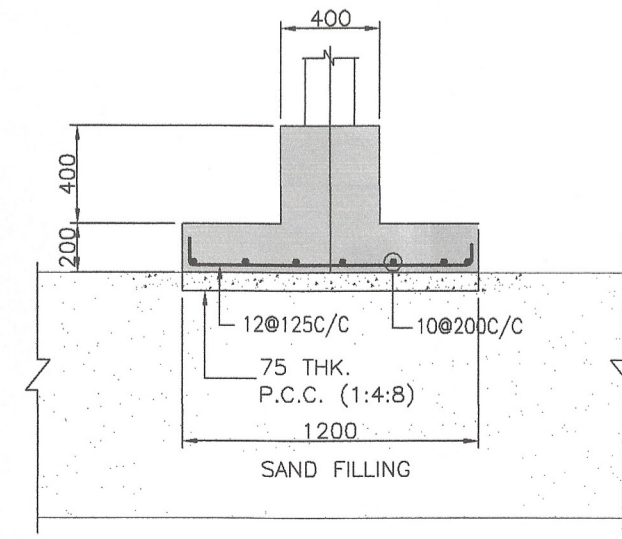
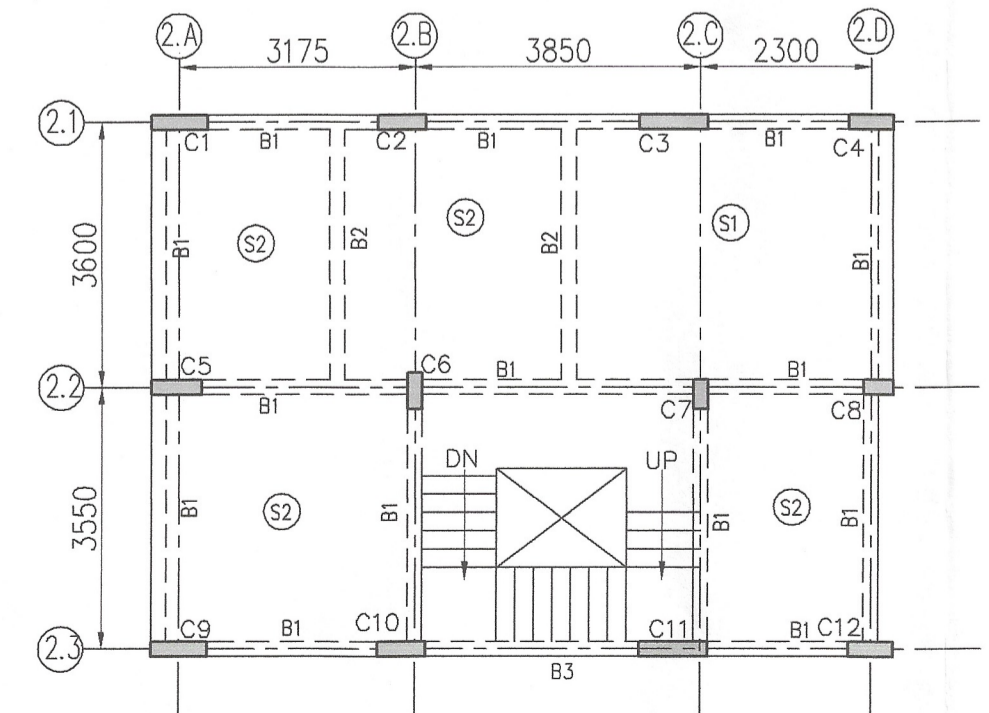
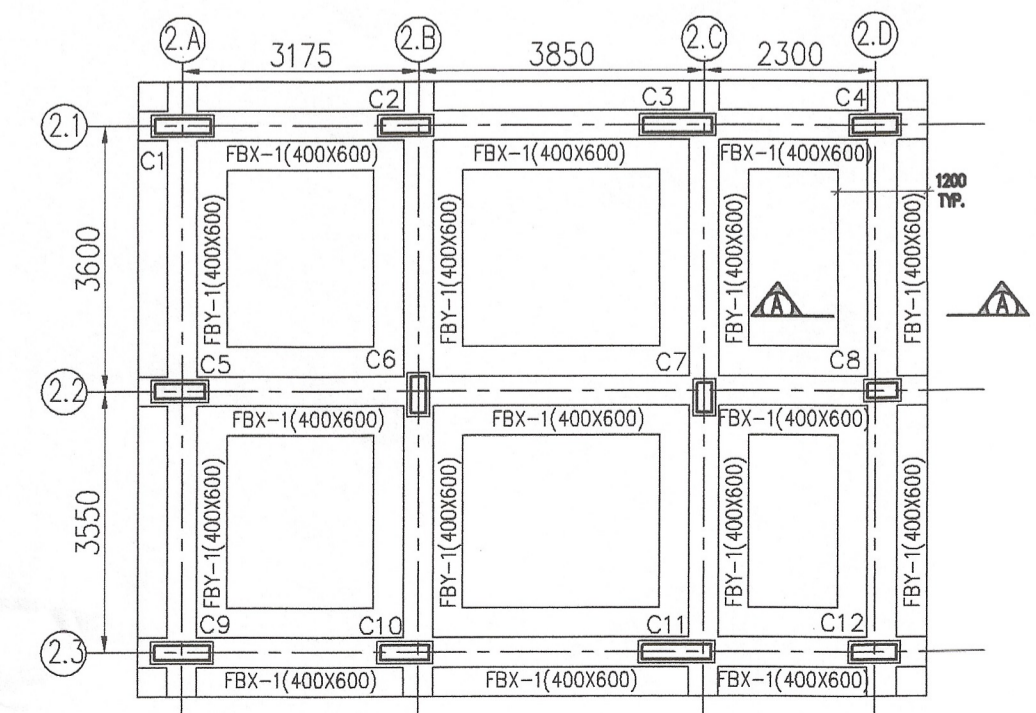
10T FOR CLOSE LINKS & 8T FOR OPEN LINKS

SCHEDULE OF FOUNDATION BEAMS

BEAM MKD	BEAM SIZE	BEAM REINFORCEMENT								STIRRUP		REMARKS
		END SUPPT		MID SPAN		CONT. SUPPT		CANT END		UPTO L/3 FROM SUPPT	MID SPAN	
		(T)	(B)	(T)	(B)	(T)	(B)	(T)	(B)			
FBX-1	400x600	2-20T +2-16T	2-20T +2-16T	2-20T +2-16T	2-20T +2-16T	2-20T +2-16T	2-20T +2-16T	2-20T +2-16T	2-20T +2-16T	10T 4L @ 150 C/C	10T 4L @ 150 C/C	
FBY-1	400x600	2-20T +2-16T	2-20T +2-16T	2-20T +2-16T	2-20T +2-16T	2-20T +2-16T	2-20T +2-16T	2-20T +2-16T	2-20T +2-16T	10T 4L @ 150 C/C	10T 4L @ 150 C/C	



NOTE:-
LO=MAX. OF THE THREE
1. LARGER LATERAL DIMENSION.
2. H/6
3. 450 MM.
4. (\$) = NO LAP ZONE



CERTIFIED THAT I HAVE GONE THROUGH THE WEST BENGAL MUNICIPAL BUILDING RULES 2009 AS AMENDED TIME TO TIME AND ALSO UNDER TAKE TO ABIDE BY THOSE RULES DURING AND AFTER CONSTRUCTION OF BUILDING.

DTC PROJECTS PVT. LTD.
Kavi Khatun
Authorised Signatory

SIGNATURE OF OWNER :

THE STRUCTURAL DESIGNS AND DRAWINGS OF BOTH FOUNDATION AND SUPERSTRUCTURE OF THE BUILDING HAS BEEN MADE BY ME CONSIDERING ALL POSSIBLE LOADS INCLUDING THE SEISMIC LOAD AS PER NATIONAL BUILDING CODE OF INDIA AND CERTIFY THAT IT IS SAFE AND STABLE IN ALL RESPECTS.

(Signature)

ANKIT AGARWALA
B.E. (CIVIL), M.E. (STR)
G. ENG. M.I. STRUCT. E. (LONDON)
Membership No.-078392965
KMC EMPANELLED STRUCTURAL ENGINEER,
CLASS-1, E.S.E. 1/172

SIGNATURE OF STRUCTURAL ENGINEER :

(Signature)

Gokul Mondal, PhD
Professor
Dept. of Construction Engg.
Jadavpur University, Kolkata-106

SIGNATURE OF ARCHITECT
ANIRBAN BHADURI MONDAL
C.O.A. REG. NO. CA/2003/31394

SIGNATURE OF ARCHITECT :

NOTE:-
1. ALL DIMENSIONS ARE IN MILLIMETERS UNLESS OTHERWISE STATED.
2. UNLESS OTHERWISE SPECIFIED ALL REINFORCEMENT SHALL BE TMT. BARS OF GRADE FE-500D TO IS-1786-1985 AND ELONGATION SHALL BE MINIMUM 14.5 PERCENT.
3. CLEAR COVER FOR ALL MAIN REINF SHALL BE (A) FLOOR SLAB = 25 (B) COLUMN = 40 (C) FLOOR BEAM = 25 (D) FLOOR SLAB = 25 (E) STAIR = 25
4. GRADE OF CONCRETE M25/M30
5. GRADE OF P.C.C.
6. UNDER FOUNDATION = 1:4:8 (UNDER FLOOR = 1:3:6)
7. THIS DRAWING SHALL BE READ IN CONJUNCTION WITH RELEVANT ARCH DRAWING.
8. ANY DISCREPANCY IN THE STRUCTURAL DRAWINGS WITH ANY OTHER DRAWINGS SHALL BE BROUGHT TO THE NOTICE OF STRUCTURAL CONSULTANT.
9. DETAILS OF PILE CAP TO BE PROVIDED IN THE WORKING DRAWING.
10. FOR DETAIL OF PILE SHAFT REFER DRG. NO. DD-540-00-01.
11. THE REINFORCEMENT DETAIL MUST CONTAIN THE STIPULATION OF IS 13920:1993
12. CONSTRUCTION SHALL BE DONE AS PER IS-456(2000)

Project:
BUILDING PLAN FOR PROPOSED 78 NOS. OF G+2 STORIED ROW HOUSING COMPLEX AT DAG NO. 808, 811, 812, 814, 815, 816, 817, 825, 839 IN MOUZA - CHAKRAZUMOLLA, BLOCK-BISHNUPUR-II, J.L. NO. -18 UNDER GRAM PANCHAYET - RASHAPUNJO, DIST.-SOUTH 24 PARGANAS

Civil & Structural Consultants:
M.N. CONSULTANTS (Pvt) Ltd.
MNC HOUSE
1516, RAJ-DANGA MAIN ROAD
KOLKATA - 700 107
Ph.no.-913324418082/913340165700
FAX NO. 913324418083
E-MAIL: mnconpl2008@gmail.com.



Title:
FOUNDATION, FLOOR PLANS WITH SECTIONS & TYP. DETAILS. (3BHK SMALL BUNGALOW-EAST FACING)

Scale:- AS SHOWN	Date 30.04.2024	Drawn A.N.	Checked by	Approved by
<input type="checkbox"/> Design Development	<input type="checkbox"/> Corporation Dwg	<input type="checkbox"/> As Built Dwg	<input type="checkbox"/> Contract Document	<input type="checkbox"/> Construction Dwg
<input type="checkbox"/> Tender Dwg	File Name	Job No. 2413	Revision No.	
Drawing No. R-S20-00-02	Revision Date			